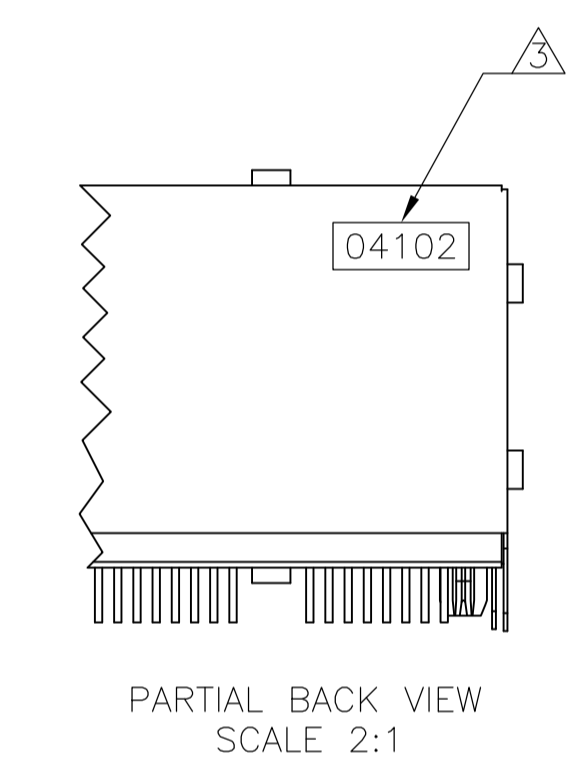
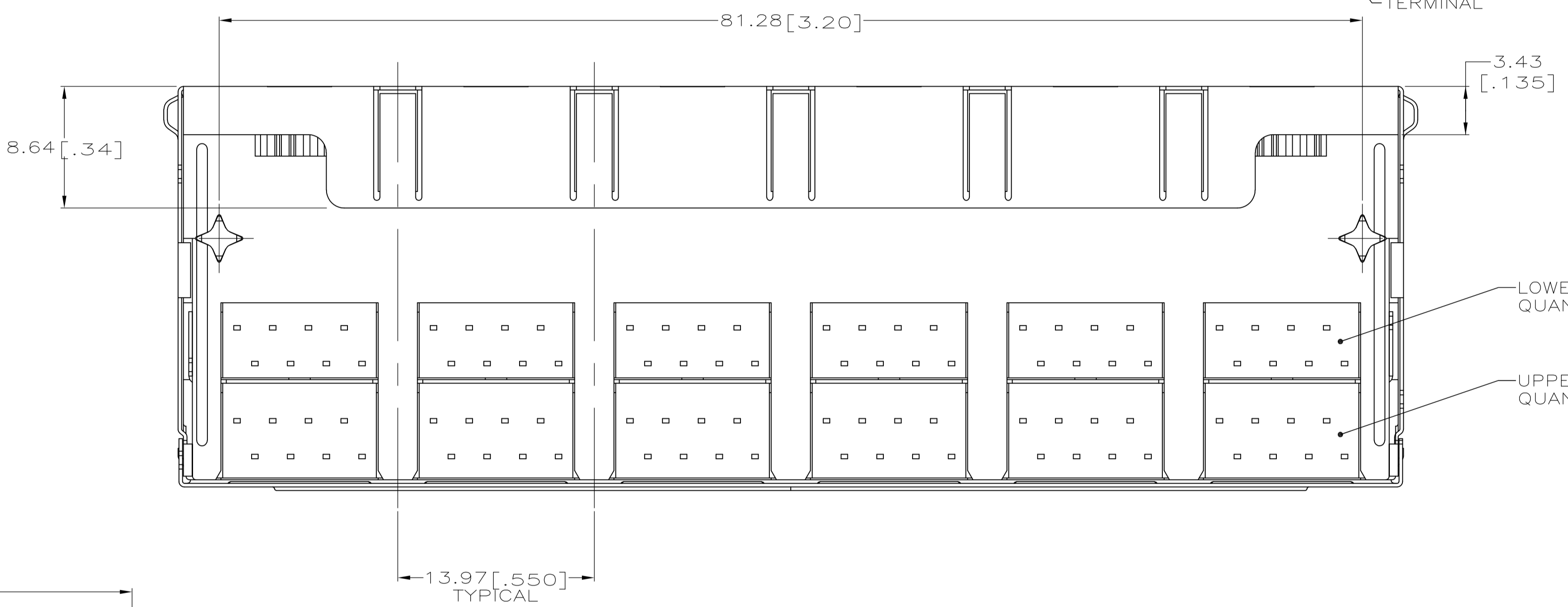
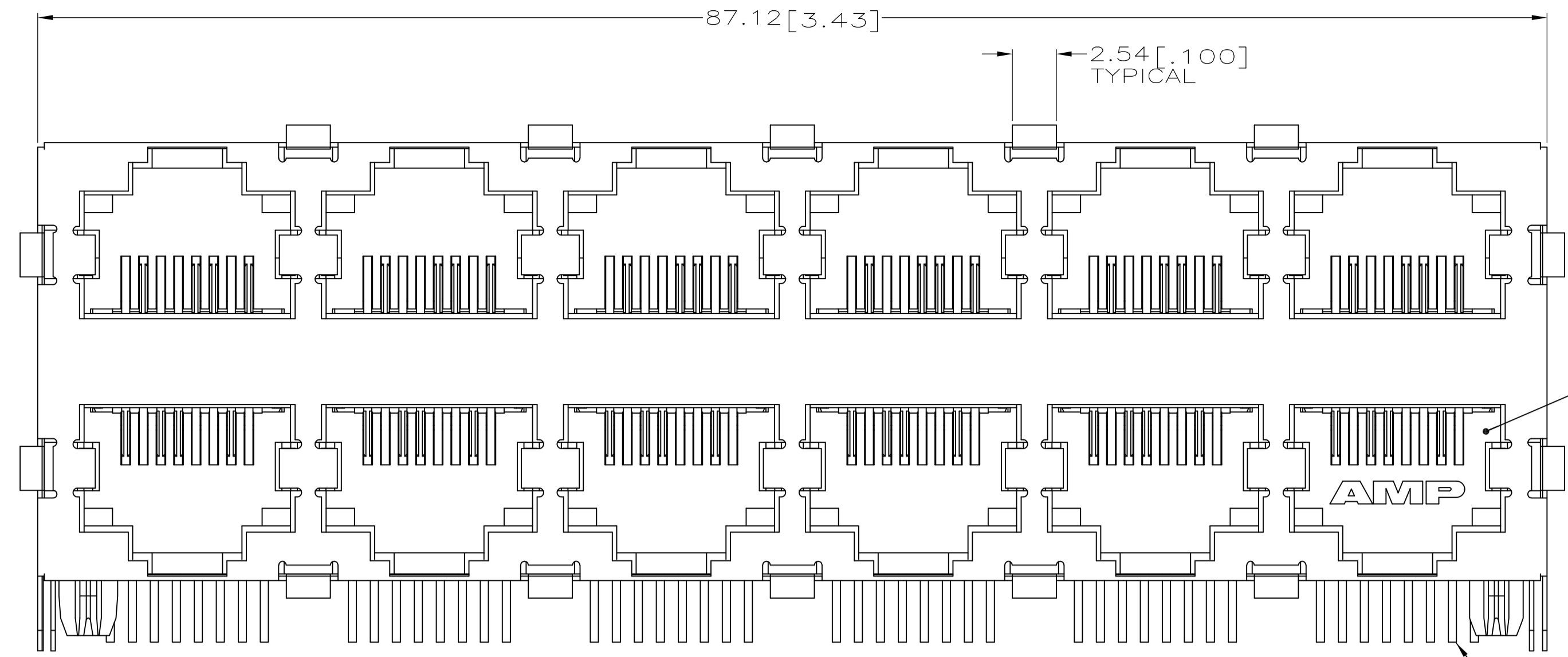
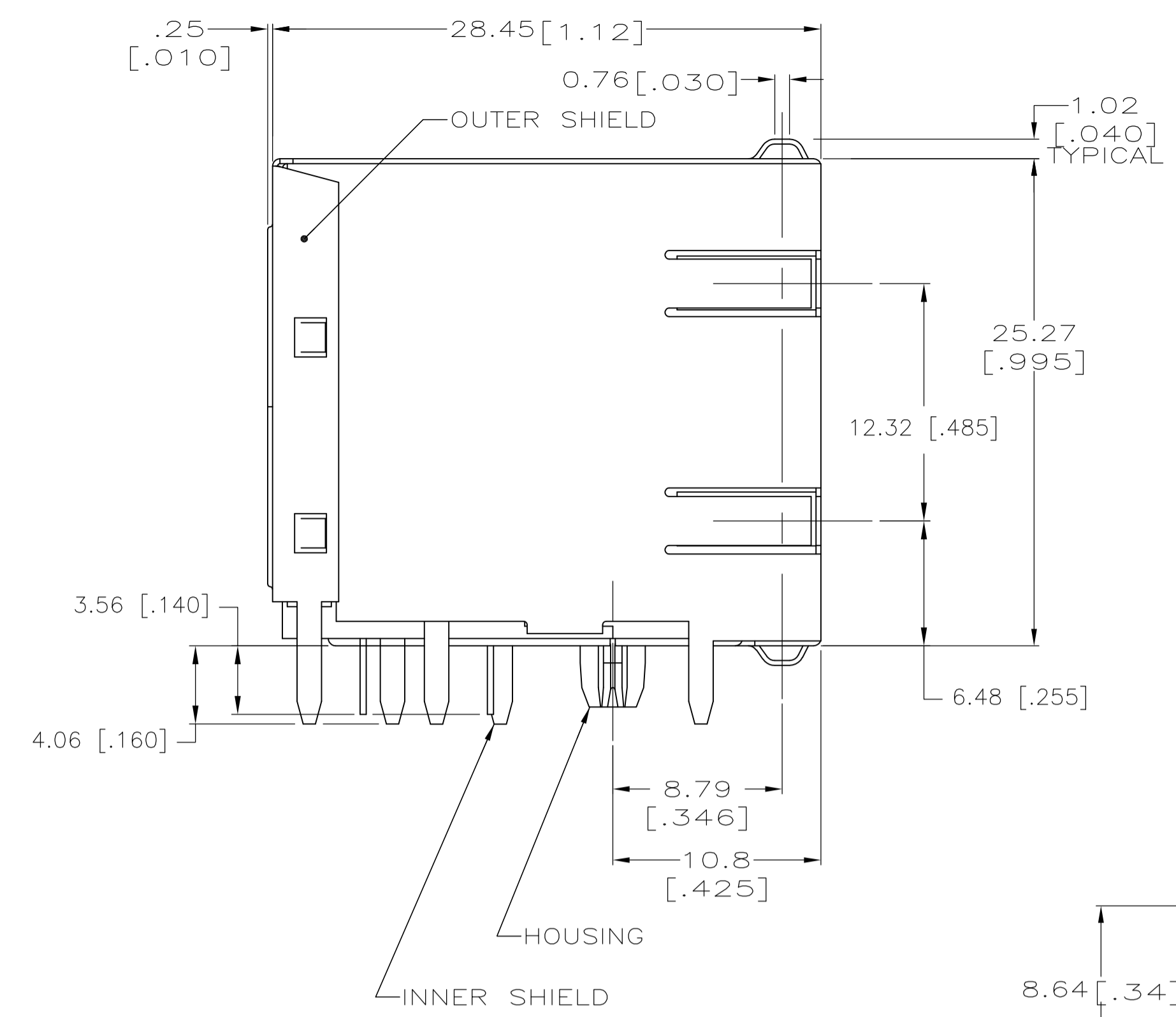


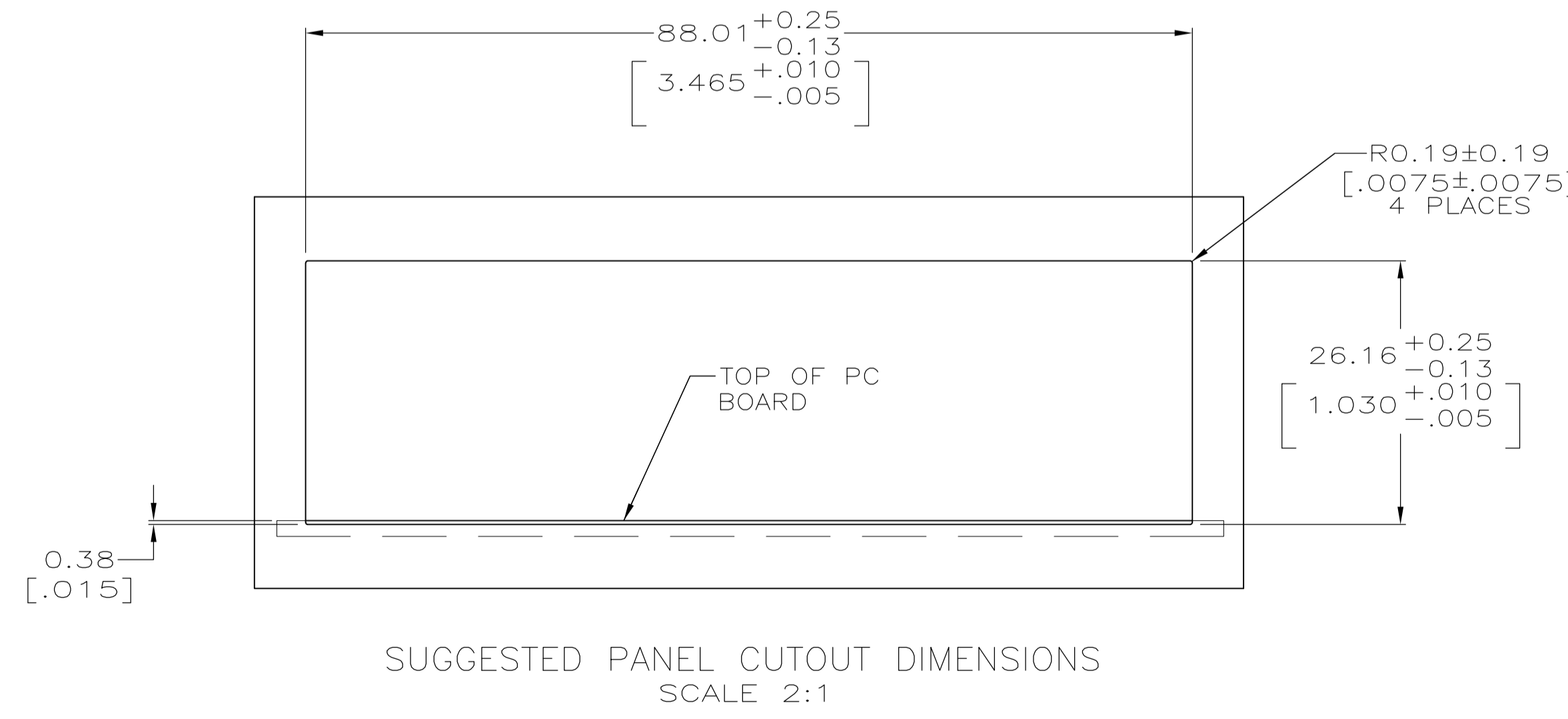
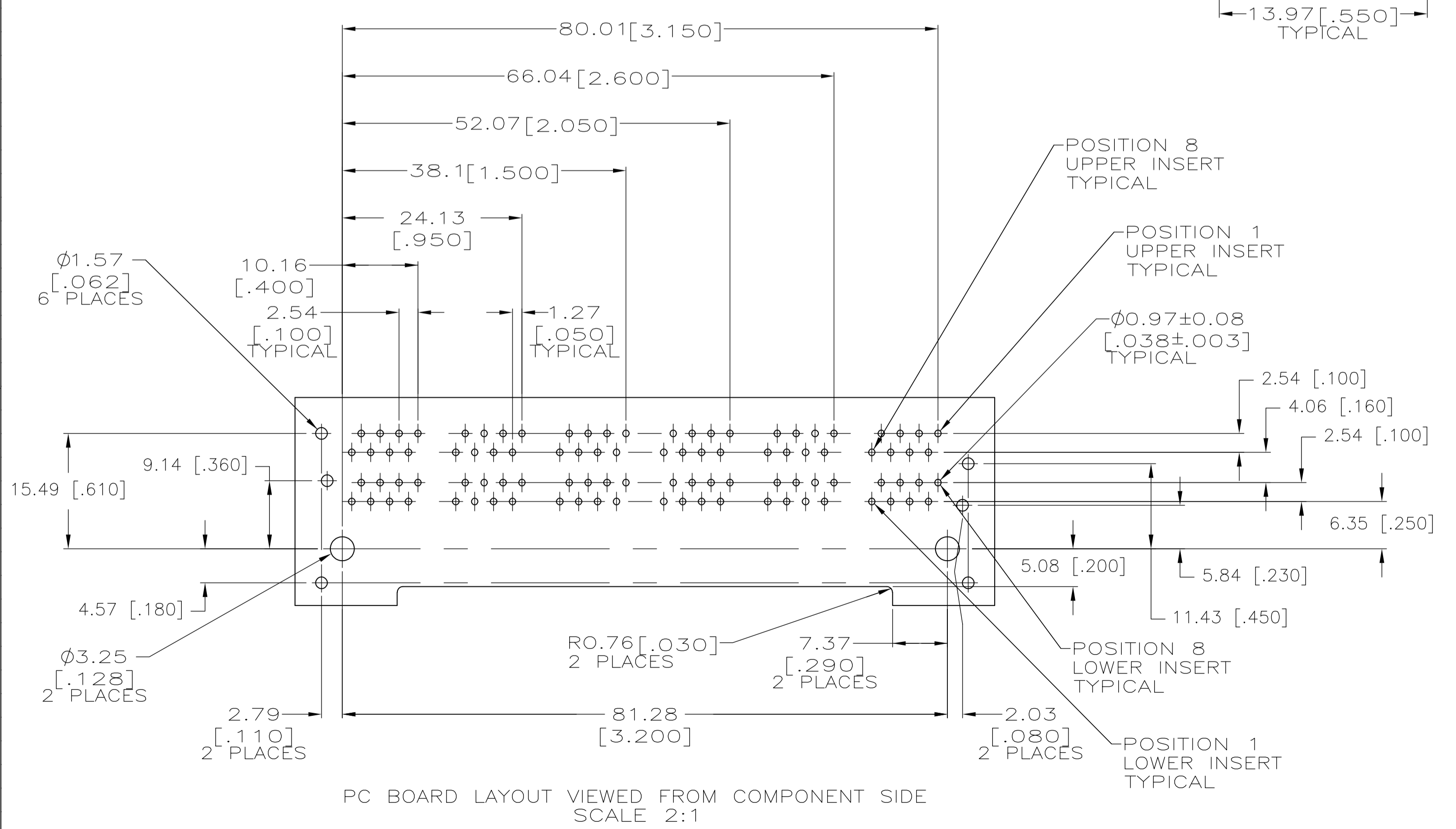
LOC		DIST		REVISIONS			
AA	22	F	LTR	DESCRIPTION	DATE	DWN	APVD
B1				REVISED ECR-08-031628	02DEC08	AZ	SY



▲ MATERIAL:
 HOUSING - PCT POLYESTER, BLACK, UL94V-0.
 OVERMOLDED TERMINAL ARRAY - PBT, BROWN.
 TERMINALS - 0.33 [.013] THICK PHOS BRONZE PLATED WITH 1.27um [.000050] MIN THICK HARD GOLD IN LOCALIZED AREA AND 3.81um [.000150] MIN THICK MATTE TIN IN SOLDER AREA OVER 1.27um [.000050] MIN THICK NICKEL UNDERPLATE.
 SHIELDS - 0.25 [.010] THICK COPPER ALLOY PLATED WITH 1.27 um [.000050] MINIMUM NICKEL AND 2.03 um [.000080] MINIMUM HOT TIN DIP ON PCB GROUND TABS.

▲ JACK CAVITY CONFORMS TO FCC RULES AND REGULATIONS, PART 68 SUBPART F.

▲ DATE CODE LOCATED ON REAR OF PART APPROXIMATELY AS SHOWN:
 FIRST 2 DIGITS ARE LAST 2 DIGITS OF YEAR, SECOND 2 DIGITS ARE MANUFACTURING WORK WEEK, LAST DIGIT IS DAY OF WEEK, WITH SUNDAY = 1.



PC BOARD LAYOUT VIEWED FROM COMPONENT SIDE SCALE 2:1

SUGGESTED PANEL CUTOUT DIMENSIONS SCALE 2:1

5569263-1
PART NUMBER

THIS DRAWING IS A CONTROLLED DOCUMENT.		DIN T. SPRINKLE/L.A. MAYER 25MAY2005	Tyco Electronics Corporation Harrisburg, Pa 17105-3608
DIMENSIONS: mm [INCHES]		CHK J. WESTMAN 25MAY2005	
TOLERANCES UNLESS OTHERWISE SPECIFIED:		APVD S. FLICKINGER 25MAY2005	NAME
0. PLC ± -	1. PLC ± -	PRODUCT SPEC	
2. PLC ± 0.25[.01]	3. PLC ± 0.13[.005]	108-1163-2	
4. PLC ± -	ANGLES ± -	APPLICATION SPEC	
MATERIAL SEE NOTE 1	FINISH SEE NOTE 1	SIZE 114-2048	RESTRICTED TO
		WEIGHT -	SCALE 4:1
		CUSTOMER DRAWING	SHEET 1 OF 1
		DATE 00779	REV B1